

GENUINE SIDE AIR DAM SKIRT



INSTALLATION AND USER'S INSTRUCTIONS

Thank you for purchasing a genuine Mazda accessory.

Thoroughly read and understand the contents of this booklet in order to properly install and use the side air dam skirt.

Make sure to store this booklet in an appointed place so that you can refer to it whenever necessary.

CAUTION

- There are several  **WARNINGS** and  **CAUTIONS** in this booklet concerning safety when installing or removing the side air dam skirt. Always read and follow them in order to prevent injuries, accidents, and possible damage to the vehicle.
- Do not modify the side air dam skirt.
- Do not install or use the side air dam skirt in a way other than described in the following instructions.
- Always ask your Mazda dealer to install the accessory in order to prevent errors in installation.
- If you have any questions about the use of the accessory, ask your Mazda dealer for proper advice before using it.
- We are not responsible for any problems which originate from the failure to observe these instructions.

PART NAME: SIDE AIR DAM SKIRT
PART NUMBER: B30K V4 910F
VEHICLE: 323

If you have any questions about the installation, removal, or use of this accessory, consult your Mazda dealer.

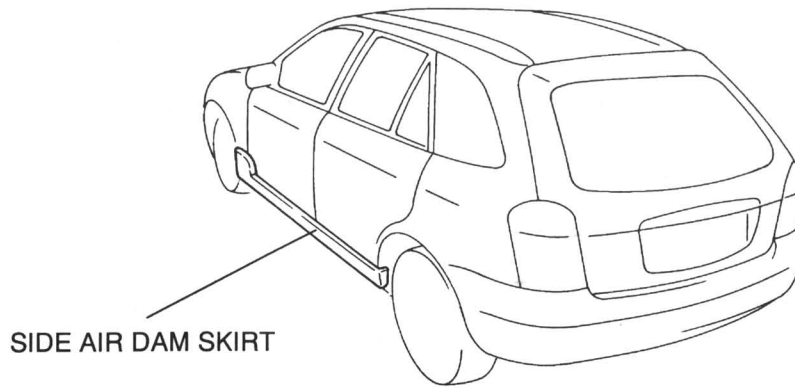
To the dealer

- Return these instructions to the customer after installation.

To the customer

- Keep these instructions after installation. The instructions may be necessary for installing other optional parts or removal of this accessory.

1 INSTALLATION VIEW



2 PARTS

⚠ CAUTION

- Verify that the kit includes all the following parts and that no part is dirty, scratched, or damaged.

No	Part name	Part No.	Q'ty	No	Part name	Q'ty
①	Side air dam skirt	LH: B28V 51 P50 RH: B28V 51 P40	1 ea	④	Template (RH, LH)	1 ea
②	Fastener (Large)	G043 50 753	10	⑤	Installation and user's instructions	1
③	Fastener (Small)	G18K 51 SJ3	18			

①



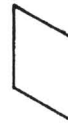
②



③



④



⑤



3 REQUIRED TOOLS

- ★Phillips screwdriver (Stubby type)
- ★Fastener remover
- ★Gum Tape
- ★Double-sided adhesive tape
- ★Punch
- ★Electric drill (φ3mm, φ10mm drill bits)
- ★Touch-up paint (Genuine product)
- ★IPA (Isopropyl alcohol)
- ★Round file
- ★Soft, clean cloth
- ★Sealant

4 BEFORE INSTALLATION

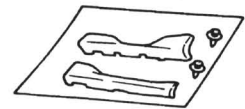
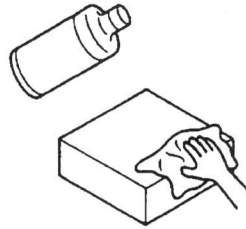
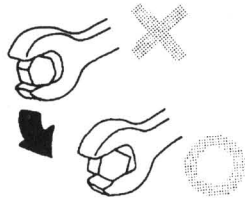
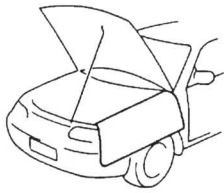
⚠ CAUTION

Be sure to cover the vehicle body with protectors or mats to prevent stains, scratches and damage when removing/installing the vehicle parts.

Using improper tools may cause damage and or broken parts. Use the correct tool for the job.

Installing parts with soiled adhesive tape can cause the parts to fall and be damaged. When installing parts with double-sided adhesive tape, carefully clean the adhesive surface and keep it away from dust or dirt.

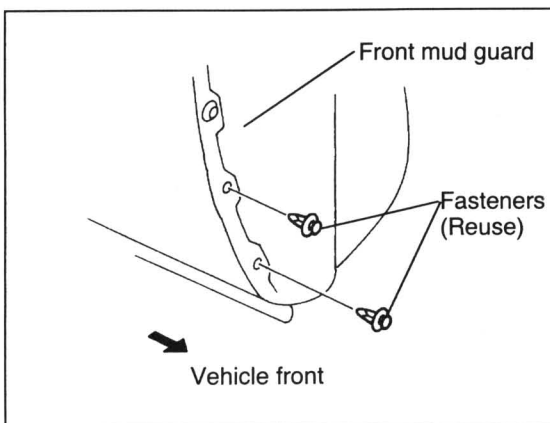
Place removed parts and kit parts on a protective sheet to prevent scratches.



Note

- Refer to the 323 Workshop Manual for removal and installation of vehicle parts.

5 PART REMOVAL



Note

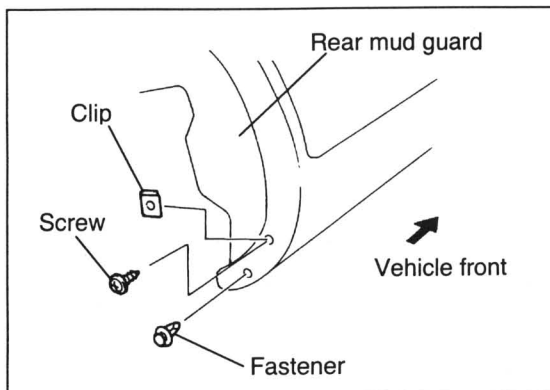
- The directions are given for the right side, however, the directions for the left side are the same.

Fastener removal

1. Remove the 2 front mud guard fasteners.

⚠ CAUTION

- Be sure not to lose any fasteners or scratch them, as they will be reused.



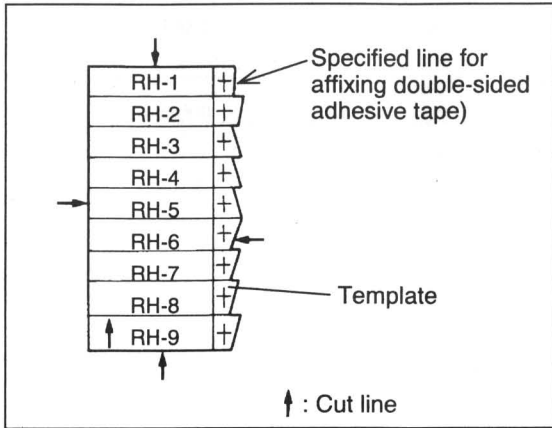
2. Remove the mud guard screw, fastener, and clip (1 each).

Note

- The removed mudguard screw, fastener, and clip are of no further use with this product.

6

SIDE AIR DAM SKIRT INSTALLATION

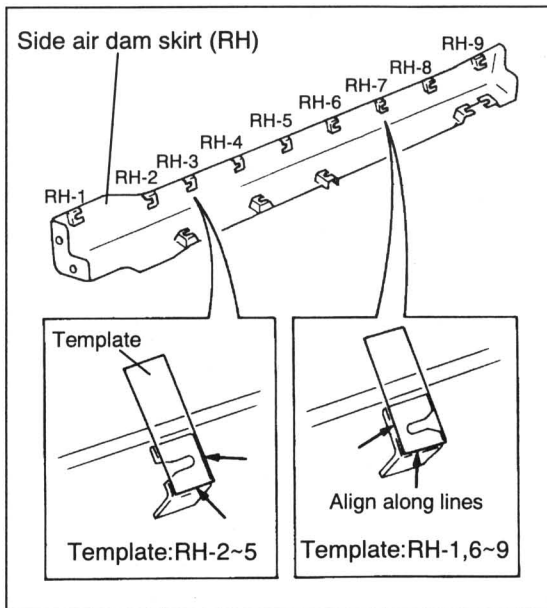


Note

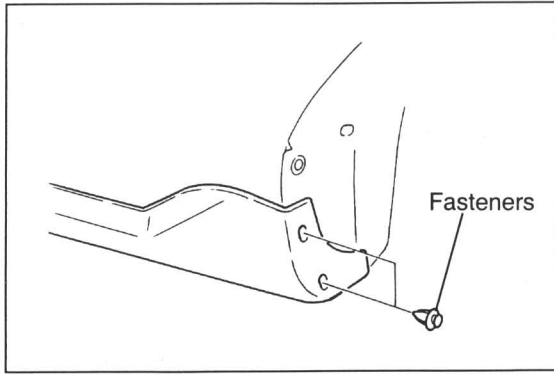
- Directions are given for the right side, however, directions for the left side are the same.

Drilling

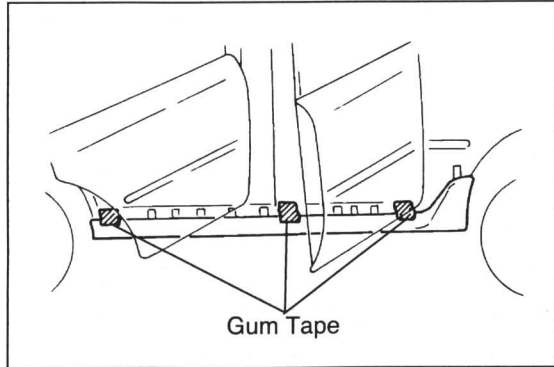
1. Affix double-sided adhesive tape to the front of the template.
2. Cut the template with scissors along the cut lines.



3. Align the two attachment areas on the template and affix it to the side air dam skirt as shown in the figure. (7 locations)



- Align the side air dam skirt along installation positions, and temporarily reinsert the two front mudguard fasteners removed in "4. PART REMOVAL."



- Open front and back doors.
- Press the air dam skirt firmly and secure it with gum tape.

CAUTION

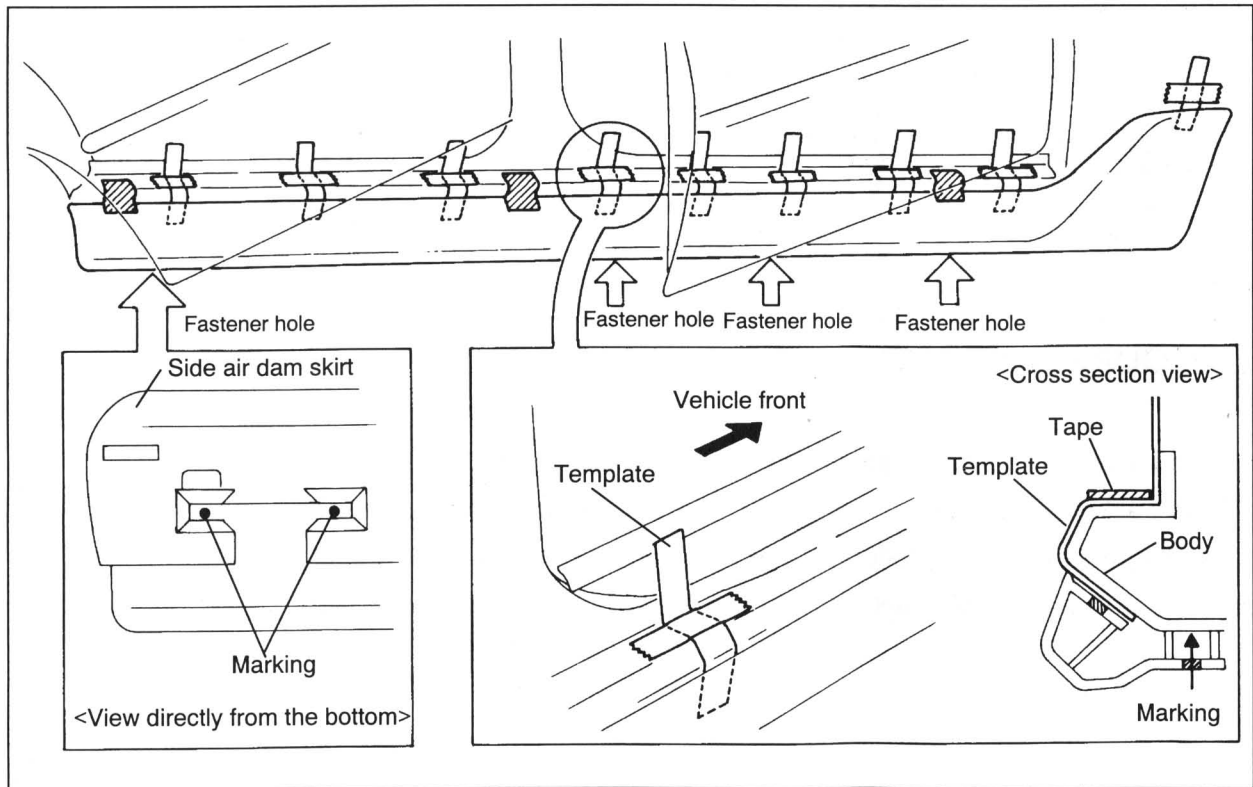
- Be careful of the alignment of the side air dam skirt with the body, and make sure that it does not hang below the body, and that its height is equal from front to back.

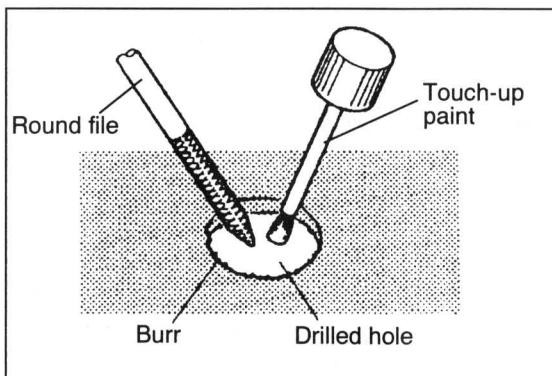
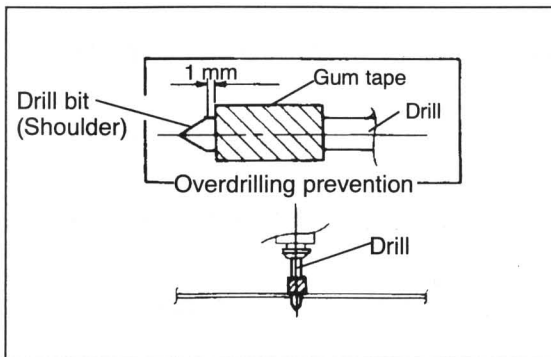
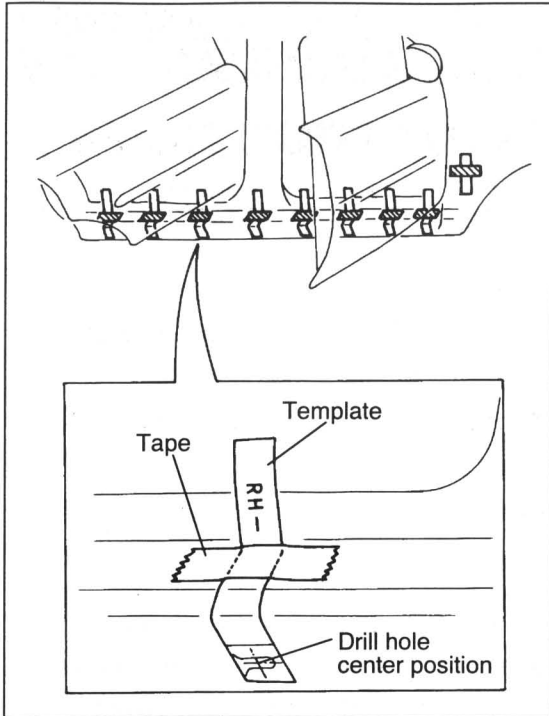
- Align the template along the bodyline and affix it firmly with tape.

CAUTION

- Make sure the template is not warped when affixing it to the body.

- Mark the fastener hole installation positions (5 locations) on the underside of the side air dam skirt with a magic marker.





9. Leaving the template attached to the vehicle, remove the side air dam skirt.

⚠ CAUTION

- When removing the side air dam skirt, be careful that the template does not slip, or that it becomes ripped.

10. Punch a hole going through the center of the hole in the template and the marked position.

⚠ CAUTION

- Punch the hole leaving the template attached.

11. Drill the hole using a $\phi 3$ -mm drill bit followed by a $\phi 10$ -mm drill bit.

⚠ CAUTION

- Drills and other sharp objects can cause injury. Be careful when handling drills and other sharp objects.
- To prevent scratching and overdrilling, wrap the drill bit with gum tape.

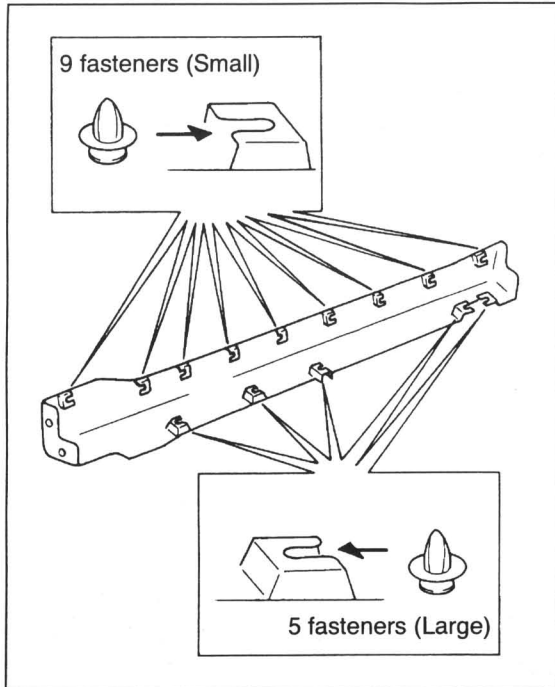
12. Round off any metal burrs around the drilled hole with a round file.

13. Apply touch-up paint.

14. After the touch-up paint has dried, apply sufficient sealant to prevent rust.

⚠ CAUTION

- Make sure anti-rust protection is carried out properly.

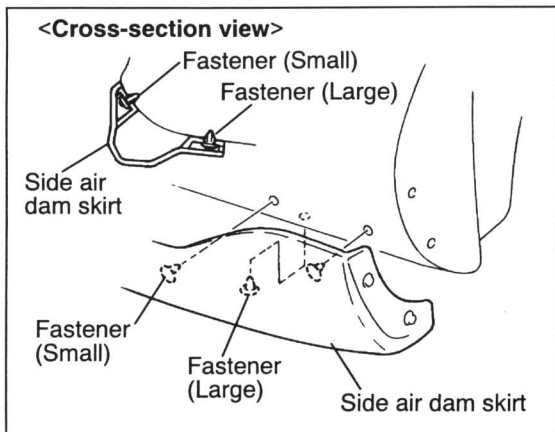


Side air dam skirt installation

1. Install the 5 (large) previously removed fasteners, and the 9 (small) ones to the side air dam skirt.

⚠ CAUTION

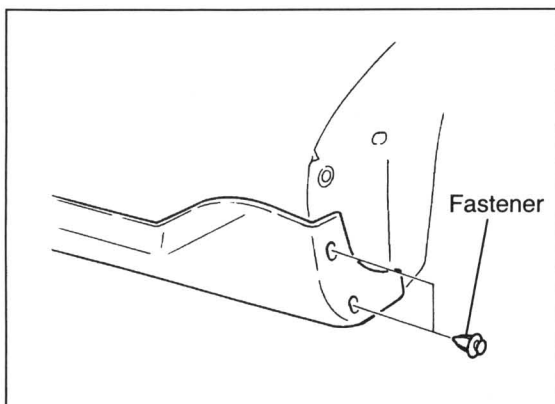
- Be careful to insert large and small fasteners in the right places.



2. Align the side air dam skirt clips with the installation holes, inserting the 9 clips on the upper side first, then the 5 clips on the lower side.

⚠ CAUTION

- Push the clips in slowly. If they are pushed in with excessive force, they will deform and it may become difficult to insert them.



3. Using the front mud guard fasteners, install the front of the side air dam skirt.

⚠ CAUTION

- Make sure the installation is in alignment with the vehicle.

INSTALLATION INSPECTION SHEET

323

SIDE AIR DAM SKIRT

B30K V4 910F

Inspection items after installation

- Inspect the installed/reinstalled parts for the following items.

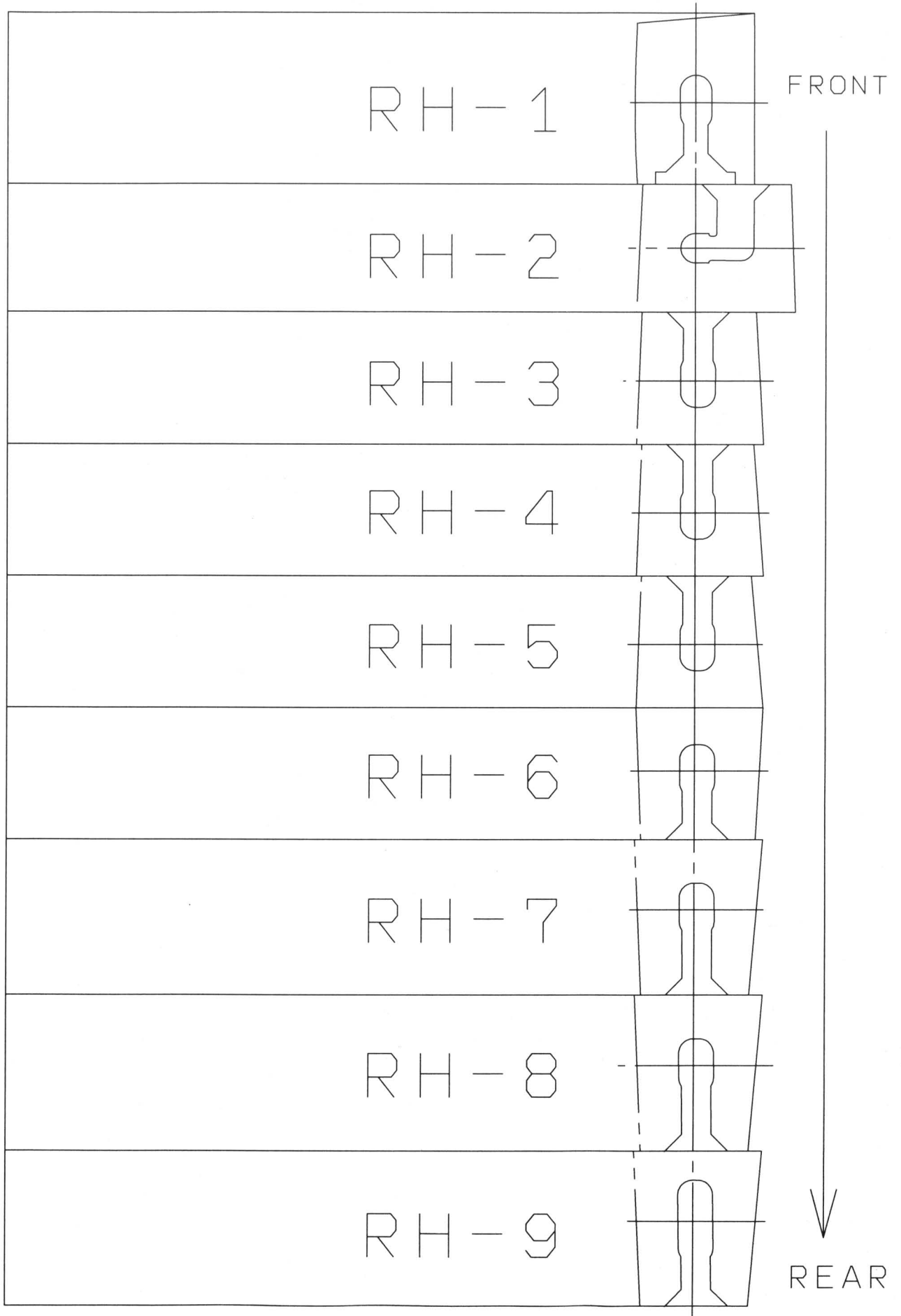
Part	Check item (○)			
	Clearance/Fit	Scratches/Dirt/ Remaining tape	Tightening/ engagement	Rustproofing
Side air dam skirt	○	○	○	
Front fender, side sill, side frame		○		○

Installation inspection sheet for side air dam skirt

Date _____, _____, _____					
VIN. _____					
Approved		Checked		Person in charge	

The term of validity for
this sheet: 1 year

MAZDA323 TEMPLATE



MAZDA323 TEMPLATE

