



**TO:** Mazda Dealership General Managers, Service Managers, and Parts Managers

**DATE:** December 2008

**SUBJECT: 2009 RX-8, 2009 CX-7, 2009 CX-9, 2008-2009 Mazda3 with SANYO Audio and SIRIUS Satellite Receiver  
Owner Notification Program (ONP) 03 – Audio Preset Reset Method**

Dear Mazda Dealer:

Mazda Motor Corporation has decided to conduct an Owner Notification Program (ONP) on certain 2009 RX-8, 2009 CX-7, 2009 CX-9 and 2008-2009 Mazda3, equipped with both SANYO Audio and SIRIUS Satellite Receiver, and have been subscribed to SIRIUS regular service or 6 months free service. The purpose of this ONP is to prevent the customer's inconvenience as much as possible when they encounter the audio preset issue.

In mid-January 2009, SIRIUS Satellite will perform an Over-The-Air firmware upgrade. It is possible that the satellite preset memories may be erased after the update is complete.

Mazda will notify owners of subject vehicles and will send instructions for resetting the preset memories on their own. Owners will also be given the option to bring their vehicles into the dealers for assistance, please take care of them according to the attached instructions.

Owners of subject vehicles will be notified by first class mail beginning January 2, 2009.

This package contains important information about ONP03:

Attachment I	Dealer Information
Attachment II	Reset Instructions
Attachment III	Owner Notification Letter

Please make certain that the appropriate personnel in your dealership are familiar with the details of this program to respond to customer inquiries.

We regret any inconvenience this program may cause you and your personnel. Your understanding and support in carrying out this program is greatly appreciated.

Sincerely,

Susumu Niinai  
Director, Technical Services  
Mazda North American Operations

## ATTACHMENT I – DEALER INFORMATION

### CONDITION OF CONCERN

In mid-January 2009, SIRIUS Satellite will perform an Over-The-Air firmware upgrade. It is possible that the satellite preset memories may be erased after the update is complete.

### SUBJECT VEHICLES

Model	VIN Range	Production Date Range	Applicable Vehicles
2009 RX-8	JM1FE17** 90 400031 – 402865	March 11, 2008 – November 6, 2008	Equipped with <b>SANYO Audio and SIRIUS Satellite Receiver</b> , and subscribed to SIRIUS regular service or 6 months free service. <b>Units with Navigation system are excluded.</b>
2009 CX-7	JM3ER29** 90 215756 – 232700	May 6, 2008 – November 5, 2008	
2009 CX-9	JM3TB**** 90 164232 – 170110	July 1, 2008 – November 5, 2008	
2008-2009 Mazda3	JM1BK**** ** 100006 – 252568	January 7, 2008 – November 6, 2008	

The asterisk symbol “\*” can be any letter or number.

### OWNER NOTIFICATION

Mazda will notify U.S. owners by first class mail beginning *January 2, 2009*.

### WARRANTY CLAIM PROCESSING INFORMATION

	Operation of ROOM Fuse
Process Number	A0842B
Symptom Code	99
Damage Code	99
Part Number Main Cause	7777-SP-D0S
Quantity	0
Labor Operation Code	XXD53XGX
Labor Hours	0.2 hrs.

### RESET INSTRUCTIONS

Please refer to Attachment II.

## RESET METHOD OF AUDIO PRESET MEMORIES

**APPLICABLE MODEL:** 2009 CX-7 with both SANYO Audio & SIRIUS Satellite Receiver

### CONDITION:

Preset memories of SIRIUS Satellite radio broadcasting are erased and cannot be reset. "INVALID" is displayed in the Information Display.



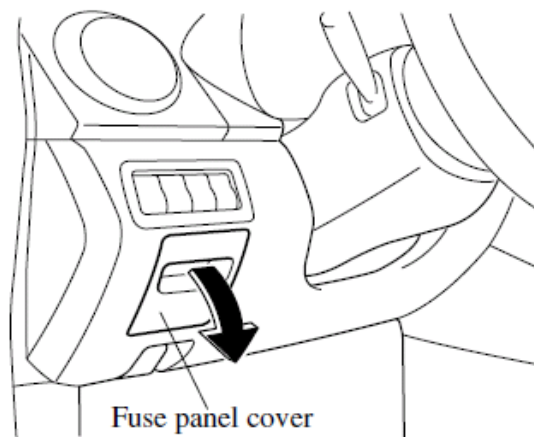
### PROCEDURE:

#### Caution:

**The following data will be initialized after completing the reset procedure.**

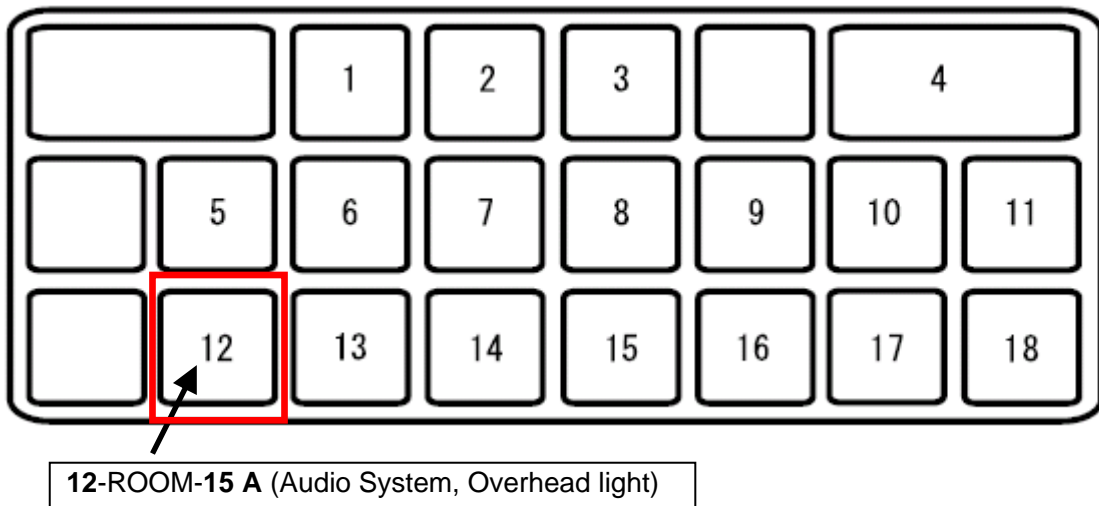
- Audio (AM/FM) preset memories  
Note: It is recommended to record the station frequency beforehand.
- Clock
- Trip meter

1. Park the vehicle outside where the SIRIUS Satellite radio broadcasting signal can be received.
2. Turn off the engine and engage parking brake by firmly pushing the parking brake foot pedal downwards
3. Open the fuse panel cover on the driver's side.

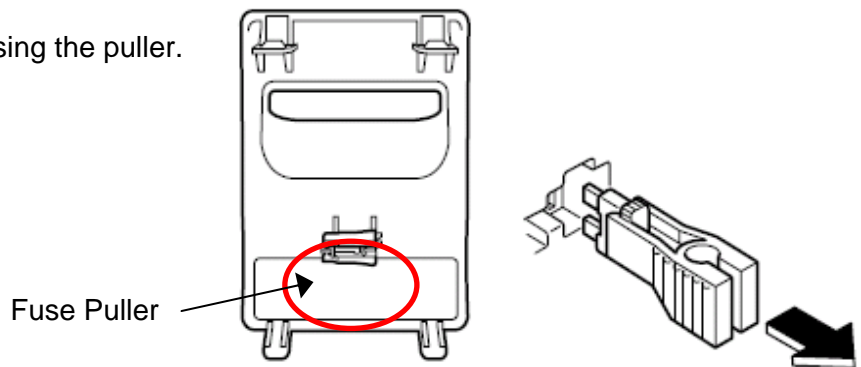


4. Remove the "fuse puller" located in the cover.

5. Confirm the position of the "ROOM" fuse (15A)" (position "12" of the illustration).



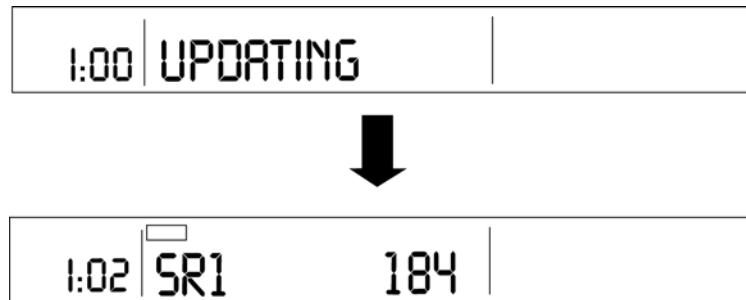
6. Pull out the "ROOM" fuse using the puller.



7. Wait for more than 5 minutes after pulling out the fuse, and then reinsert the "ROOM" Fuse (15A) back into its original location; see Step 5 for illustration.  
**Note: Make sure the ROOM Fuse fits tightly.**
8. Put the fuse puller back in the original position, and close the fuse panel cover.
9. Start the engine.
10. Turn on the audio, and then press the "SAT" (satellite) button  
**Note: Make sure the parking brake is ON ((parking brake foot pedal is firmly pushed downwards).**

11. "UPDATING" is displayed in the Information Display for up to three minutes.

**Note:** Do not turn off the engine or switch the SIRIUS mode to another mode until the "UPDATING" disappears.



12. If the TCS/DSC indicator light illuminates and the TCS OFF indicator light flashes after removing/inserting the "ROOM" fuse, turn the steering fully clockwise, and then turn it fully counterclockwise.



**TCS  
OFF**

13. Select the desired channel of audio to be programmed by referring to Owner's Manual.
14. Set the time on the clock by referring to Owner's Manual.
15. Turn off the engine.

# RESET METHOD OF AUDIO PRESET MEMORIES

**APPLICABLE MODEL:** 2009 CX-9 with both SANYO Audio & SIRIUS Satellite Receiver

## CONDITION:

Preset memories of SIRIUS Satellite radio broadcasting are erased and cannot be reset. "INVALID" is displayed in the Information Display.

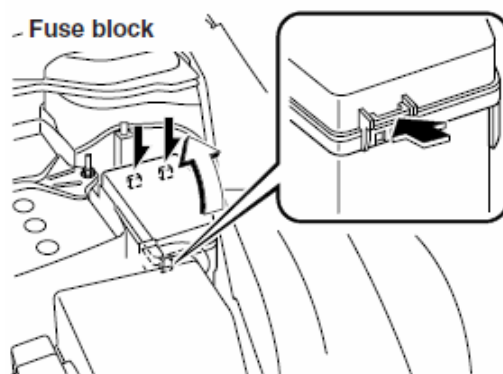


## PROCEDURE:

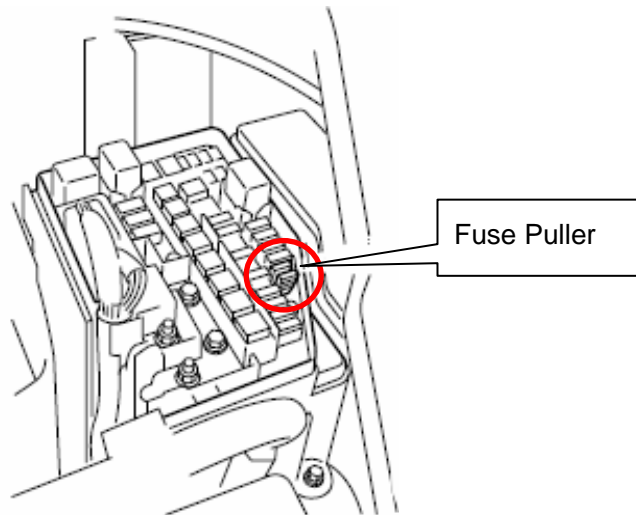
### Caution:

**The following data will be initialized after completing the reset procedure.**

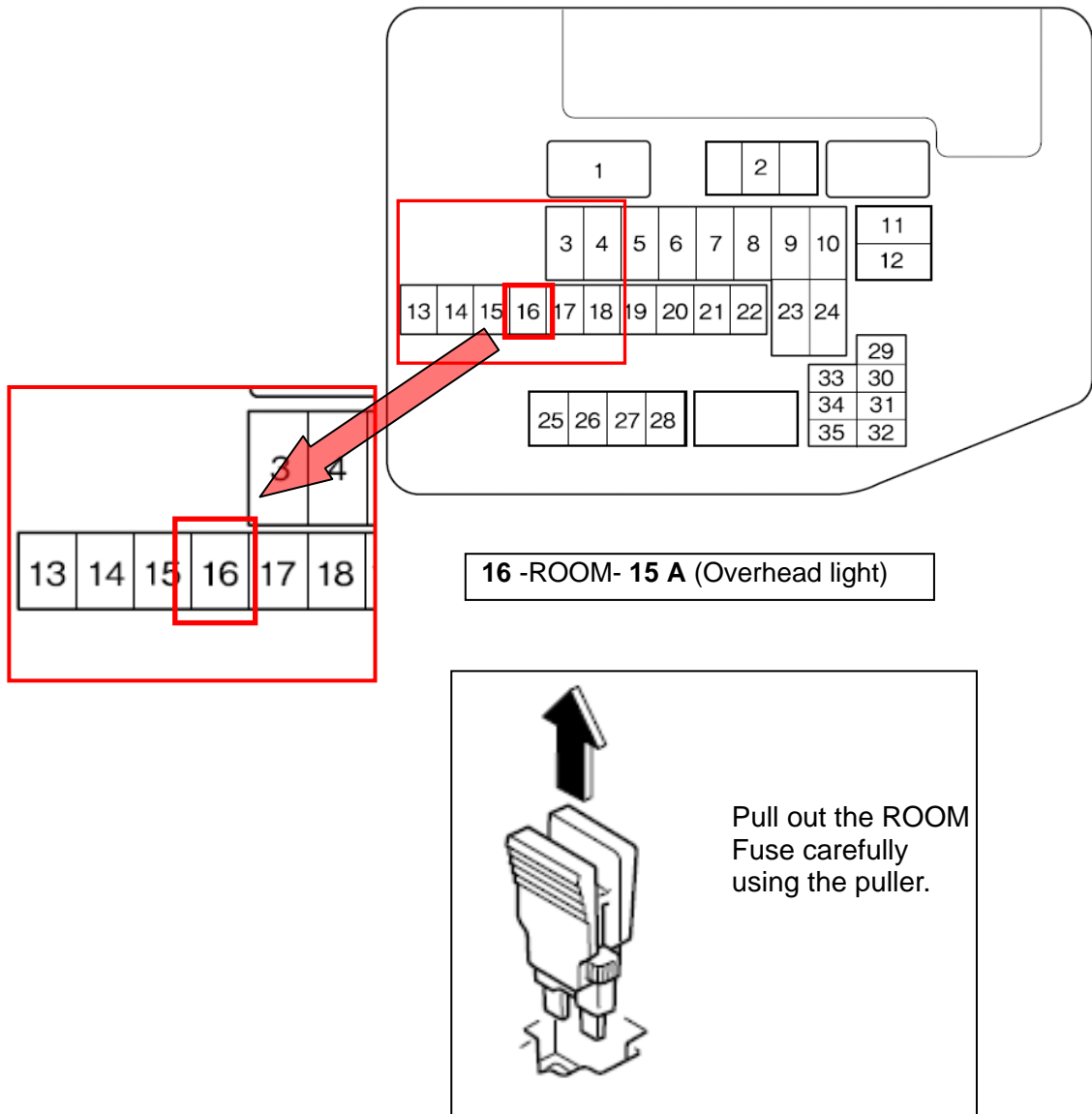
- Audio (AM/FM) preset memories  
Note: It is recommended to record the station frequency beforehand.
  - Clock
  - Trip meter
  - Seat position memory (electrically operated seats)
1. Park the vehicle outside where the SIRIUS Satellite radio broadcasting signal can be received.
  2. Turn off the engine and engage parking brake by firmly pushing the parking brake foot pedal downwards
  3. Open the hood.
  4. Carefully remove the fuse block cover.



5. Remove the "fuse puller" located in the fuse block.



6. Confirm the position of the "ROOM" fuse (15A)" (position "16" of the illustration), and pull out the "ROOM" fuse" using the puller.



7. Wait for more than 5 minutes after pulling out the fuse, and then reinsert the "ROOM" fuse (15A) back into its original location; see Step 6 for illustration.  
**Note: Make sure the ROOM Fuse fits tightly.**
8. Put the fuse puller back in the original position, and reinstall the fuse block cover
9. Close the hood.
10. Start the engine.
11. Turn on the audio system, and then press the "SAT" (satellite) button.  
**Note: Make sure the parking brake is ON (parking brake lever is fully pulled).**
12. "UPDATING" is displayed in the Information Display for up to three minutes  
**Note: Do not turn off the engine or switch the SIRIUS mode to another mode until the "UPDATING" disappears.**



13. Select the desired channel of audio to be programmed by referring to Owner's Manual.
14. Set the time on the clock and driver's seat positions (as necessary) by referring to Owner's Manual.
15. Turn off the engine.



# RESET METHOD OF AUDIO PRESET MEMORIES

**APPLICABLE MODEL:** 2008-2009 Mazda3 with both SANYO Audio & SIRIUS Satellite Receiver

## CONDITION:

Preset memories of SIRIUS Satellite radio broadcasting are erased and cannot be reset. "INVALID" is displayed in the Information Display.



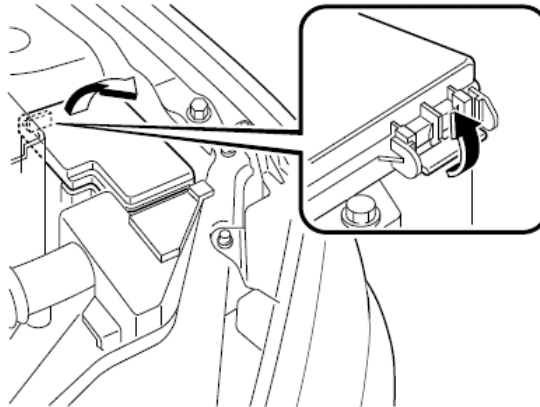
## PROCEDURE:

### Caution:

The following data will be initialized after completing the reset procedure.

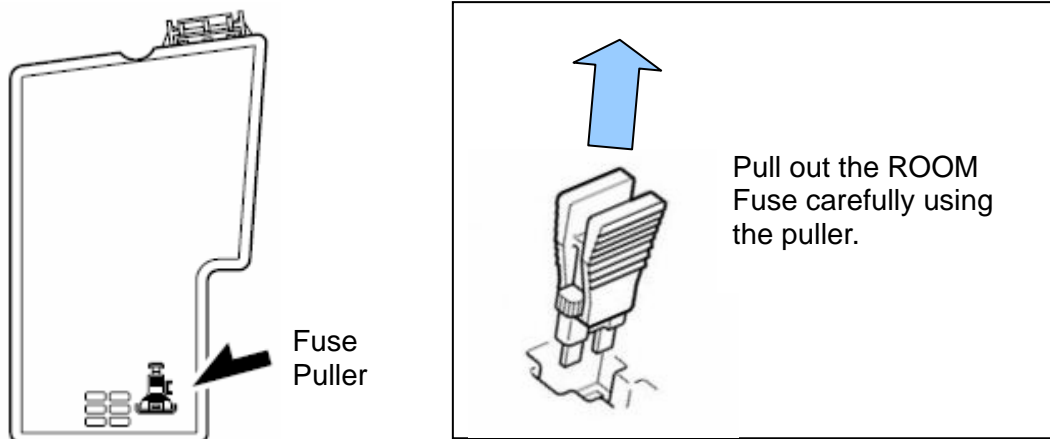
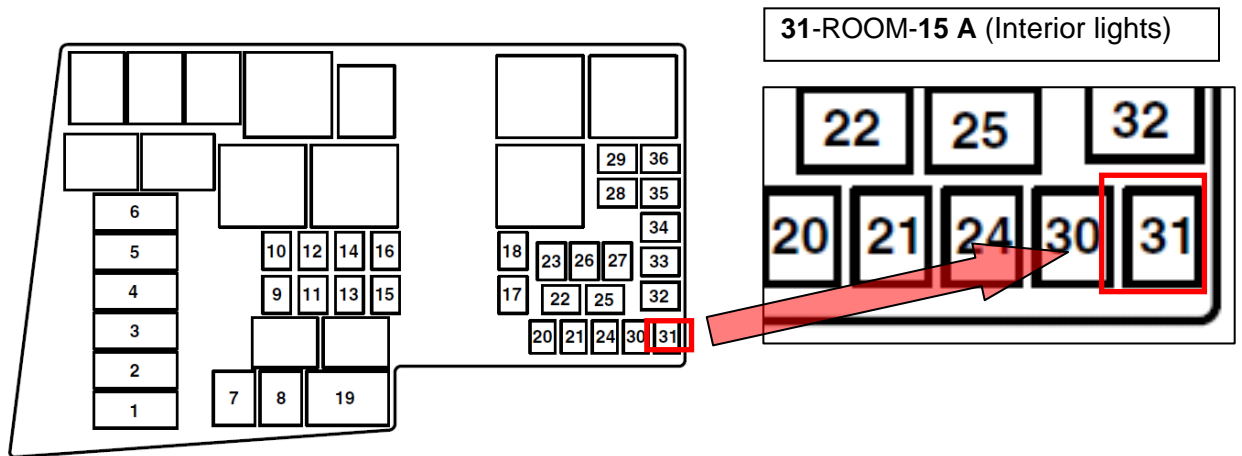
- Audio (AM/FM) preset memories  
Note: It is recommended to record the station frequency beforehand.
- Clock
- Trip meter

1. Park the vehicle outside where the SIRIUS Satellite radio broadcasting signal can be received.
2. Turn off the engine and engage parking brake by firmly pulling the parking brake lever upwards.
3. Open the hood.
4. Carefully remove the fuse block cover.



5. Remove the "fuse puller" located in the cover.

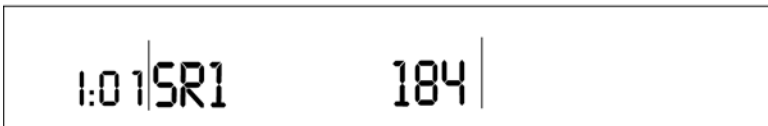
6. Confirm the position of the "ROOM" fuse (15A) (position "31" of the illustration), and pull out the "ROOM" fuse using the puller.



7. Wait for more than 5 minutes after pulling out the fuse, and then reinsert the "ROOM" fuse (15A) back into its original location; see Step 6 for illustration.  
**Note: Make sure the ROOM Fuse fits tightly.**
8. Put the fuse puller back in the original position, and reinstall the fuse block cover.
9. Close the hood.
10. Start the engine.
11. Turn on the audio system, and then press the "SAT" (satellite) button.  
**Note: Make sure the parking brake is ON (parking brake lever is fully pulled).**

12. "UPDATING" is displayed in the Information Display for up to three minutes

**Note: Do not turn off the engine or switch the SIRIUS mode to another mode until the "UPDATING" disappears.**



13. Select the desired channel of audio to be programmed by referring to Owner's Manual.

14. Set the time on the clock by referring to Owner's Manual.

15. Turn off the engine.

## RESET METHOD OF AUDIO PRESET MEMORIES

**APPLICABLE MODEL:** 2009 RX-8 with both SANYO Audio & SIRIUS Satellite Receiver

### CONDITION:

Preset memories of SIRIUS Satellite radio broadcasting are erased and cannot be reset. "INVALID" is displayed in the Information Display.



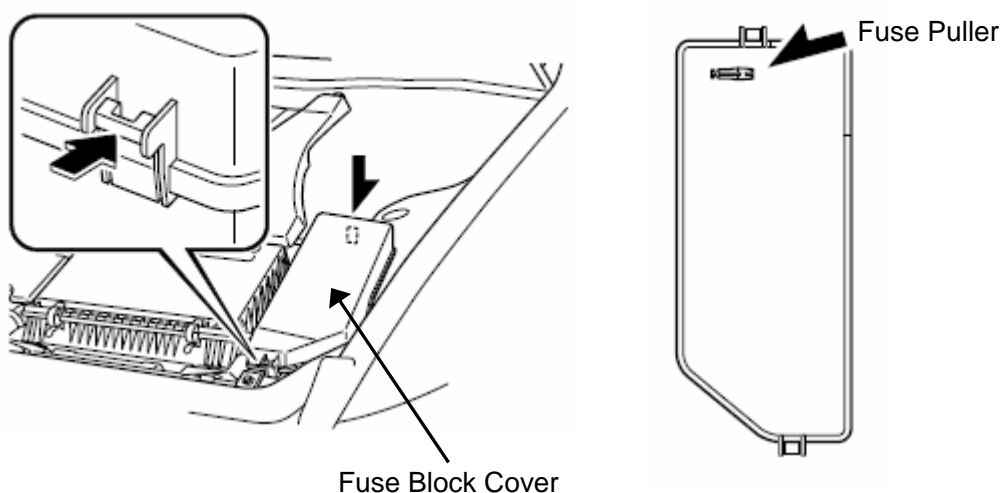
### PROCEDURE:

#### Caution:

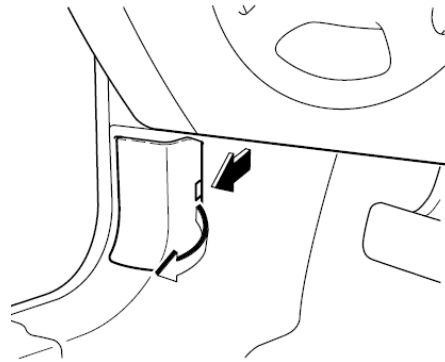
**The following data will be initialized after completing the reset procedure.**

- Audio (AM/FM) preset memories.  
Note: It is recommended to record the station frequency beforehand.
- Clock
- Trip meter
- Seat position memory (electrically operated seats)

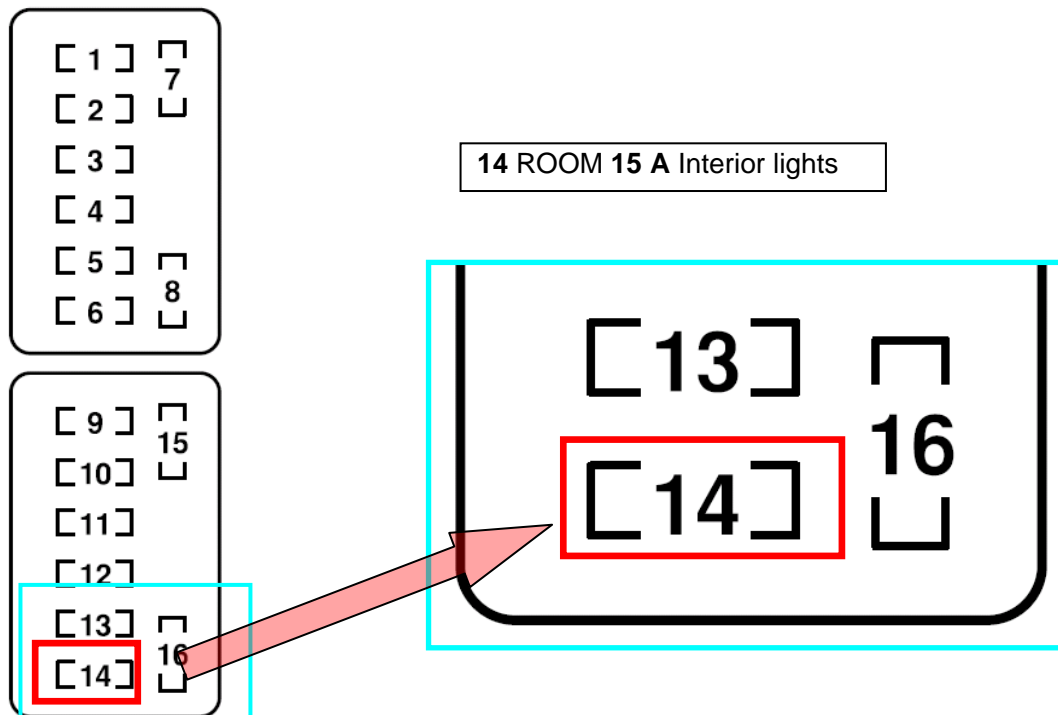
1. Park the vehicle outside where the SIRIUS Satellite radio broadcasting signal can be received.
2. Turn off the engine and engage the parking brake by firmly pulling the parking brake lever upwards.
3. Open the hood.
4. Remove the "fuse puller" provided on the inside of the fuse block cover.



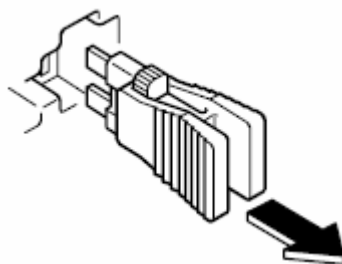
5. Open the fuse panel cover on the driver's side.



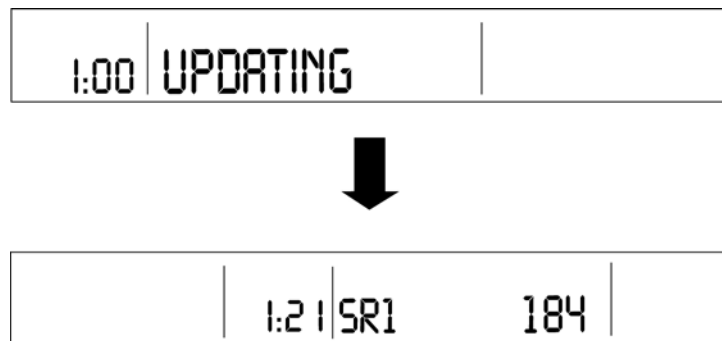
6. Confirm the position of the "ROOM" fuse (15A) (position "14" of the illustration).



7. Pull out the "ROOM" fuse using the puller.



8. Wait for more than 5 minutes after pulling out the fuse, and then reinsert the “ROOM” fuse (15A) back into its original location; see Step 6 for illustration.  
**Note: Make sure the “ROOM” fuse fits tightly.**
9. Close the fuse panel cover.
10. Put the fuse puller back in the original position (inside of the engine compartment fuse block cover).
11. Close the hood.
12. Start the engine.
13. Turn on the audio system, and then press the “SAT” (satellite) button.  
**Note: Make sure the parking brake is ON (parking brake lever is fully pulled).**
14. “UPDATING” is displayed in the Information Display for up to three minutes  
**Note: Do not turn off the engine or switch the SIRIUS mode to another mode until the “UPDATING” disappears.**



15. If the TCS/DSC indicator light illuminates and the TCS OFF indicator light flashes after removing/inserting the “ROOM” fuse, turn the steering fully clockwise, and then turn it fully counterclockwise.



**TCS  
OFF**

16. Select the desired channel of audio to be programmed by referring to Owner’s Manual.
17. Set the time on the clock and driver’s seat positions (as necessary), by referring to Owner’s Manual.
18. Turn off the engine.  
**Note: If engine was cold when started, do not turn off engine until one or more of the variable red zones in tachometer have turned off. Please refer to “Starting the Engine” in the Owner’s Manual, pages 5-4 and 5-5.**